

Pressure gauge with plastic case

Designed to monitor pressure in systems not subjected to vibrations. Suitable for all gaseous and liquid media that will not obstruct the pressure system or attack copper alloy parts.

Especially designed for pneumatic circuits, filters, pressure regulators...

Manufactured according to EN 837-1 standards.

STANDARD PARAMETERS

Design: EN 837-1

Closing: Adjusted display

Mounting: See attached diagram A or B

Threaded connection: $\varnothing 40$: 1/8" BSPT; $\varnothing 50$ - $\varnothing 63$: 1/4" BSPT (UNE-EN 10226-1)

IP protection: IP44 (EN 60529 / IEC 529)

Accuracy: Class 2.5

Pressure limits:

Static: 3/4 end of scale

Oscillating: 2/3 end of scale

Maximum: Full scale for a short period of time

Temperature limits:

Environment: -40+60°C

Fluid: 60°C

Pressure range: -1...0...25 Bar

Scale: Bar/Psi

Subdivision: According to standard EN 837-1

Sensor: Bourdon tube ("C" form)

Position pointer: Red pointer (only for ranges 0+4/0+6/0+12)

MATERIALS

Case: Polyethylene

Bourdon tube and moving parts: Copper alloy

Threaded connection: Brass

Display: Acrylic

Dial: White laquered aluminum

Pointer: Black laquered aluminum

Welding: Cu-Sn

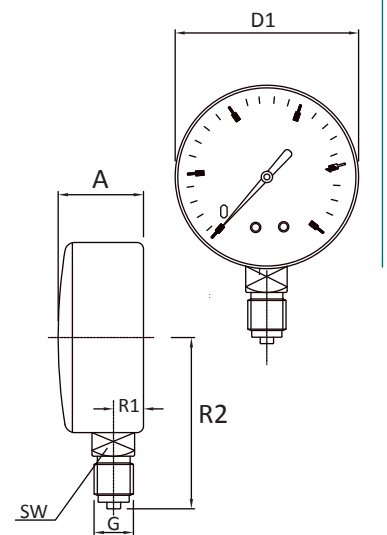
Red pointer: Red Plastic



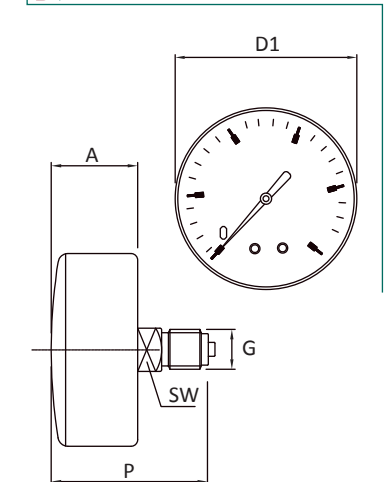
Application:

- Compressed air
- Compressor
- Air conditioning
- Hydraulics
- Pneumatic

A Bottom



B Back



DIMENSIONS (mm)

WEIGHT (g)

DN	Mounting	R1	A	D1	G	R2	SW	P	
$\varnothing 40$	A	8	25	40	1/8" BSPT	37	11	-	40
$\varnothing 40$	B	-	25	40	1/8" BSPT	-	11	39	45
$\varnothing 50$	A	8	27	53	1/4" BSPT	37	11	-	57
$\varnothing 50$	B	-	27	53	1/4" BSPT	-	11	47	73
$\varnothing 63$	A	8	27	63	1/4" BSPT	37	11	-	65
$\varnothing 63$	B	-	27	63	1/4" BSPT	-	11	47	79

How to order

1. Case diameter

$\varnothing 40$ $\varnothing 50$ $\varnothing 63$

2. Pressure range (Bar)

-1+0 0+2.5 0+6 0+12 0+25
0+1.6 0+4 0+10 0+16

3. Pressure Unit

Bar/Psi

4. Mounting

A B

5. Threaded connection

1/4" BSPT 1/8" BSPT

6. Connection material

Brass

7. Calibration certificate traceable to ENAC

7 points certificate
Without certificate

M0101 -

1	2	3	4	5	6	7

www.termometros.com

Order it online!

+34 94 676 63 64

info@termometros.com

